



IDS SMS Duo
Manual

Contents

Features	5
Function	5
IDS805 Integration	5
Standalone Operation	5
Outputs	5
Inputs	5
Phone Numbers	5
Operation	6
Defaulting the SMS Duo module	6
Messages	6
Add	6
Reporting Options	6
Delete	7
Naming	7
Naming the Site	7
Partition	7
Zones	7
Alarm Commands	7
Arm	7
Disarm	7
Zones Bypassing	8
Zone Unbypassing	8
Programmable Outputs	8
GSM Module Status LEDs	8
Interface Board LED	8
Diagrams	9

Congratulations on your purchase of the IDS SMS Duo module. IDS systems are powerful, versatile and highly configurable systems, which should be installed by a professionally trained installer.

This manual covers the installation of the SMS Duo module. For IDS805 programming please refer to the IDS805 User Manual

Features

- Two Zone Inputs 3k3 ohm end of line supervised
- Two relay outputs
- Can be connected to an IDS805
- IDS805 integration reports communication fail if SMS Duo losses communication with the IDS805
- Can operate as a standalone unit

Function

The SMS Duo unit has been designed to work with the IDS805 alarm panel as a virtual keypad or as a standalone system with 2 inputs and 2 outputs.

IDS805 Integration

The SMS Duo connects to the IDS805 keypad bus as a second keypad and supports the following functionality:

- Away Arm, Stay Arm and Arm Status
- Disarm
- Zone bypass, Unbypass and Bypass Status
- Zone status
- SMS Duo PGM triggering, on/off, pulse high/low and status
- Event reporting
 - Arm and disarm
 - Bypass and unbypasses
 - Zone violations while the system is armed
 - Panic and fire
 - Tamper
 - System Troubles

Please refer to the connection diagram, see figure 2 on page 9, at the end of the manual for wiring information.

The LED on the interface board will come on when the module has power and has received a valid Clock and Date pulse from the IDS805 alarm, see figure 2 on page 9.

Standalone Operation

The SMS Duo can operate in standalone mode and supports the following functions.

- Monitoring of two 3k3 ohm end of line supervised inputs
- Triggering two outputs

Outputs

The outputs on the interface board are relay driven outputs which can be triggered in four different ways:

- Latched high.
Output will change from open to closed and remain until a sms is received to return to the open state
- Latch Low
Used once the Latch high command has been sent, to return the output to the open state
- Pulse High
The output will change from the open state to the closed state and return back to the open state after 3 seconds.
- Pulse Low
The output must be in the closed state and will change to the open state and return back to closed state after 3 seconds

Inputs

The inputs monitor for an open or closed condition. 3k3 ohm end of line resistors are required. A 3k3 resistor must be connected in series with a normally-closed type of input, and in parallel with a normally-open type of input. Applicable messages will be sent as zone 9 and zone 10.

Phone Numbers

There are three groups of user phone numbers. Entering phone numbers into the SMS unit is done via SMS's from a "Master Phone Number". In the default state any cell phone can be used to enter the first "Master Phone Number", once entered the phone with that cell number must be used to enter more cell numbers or control the system.

Master Phone Number

Master phone numbers have the highest level of access to the SMS Module. Master phone numbers are allowed access to all configuration data. Only master numbers are permitted to add phone numbers to the system and allocate which partitions will report to each phone number.

Arming phone Numbers

Arming phone numbers are the second level of phone numbers. These phone numbers are permitted user rights to be able to control the Alarm Panel and receive reports.

Reporting Phone Numbers

Reporting phone numbers are at the lowest level, and access to the SMS Module is restricted to only receiving reports.

Defaulting the SMS Duo module

To default the IDS SMS module:

1. Power the unit down
2. Press and hold the default button down
3. Power up the unit
4. Keep holding down the default button, until the 'GSM Status LED' comes on.

Messages

The SMS module has two capabilities – Reporting to cell phones and control via cell phones.

Reporting – The SMS module sends alarm 'verification' reports in human readable messages. Events being reported can be customised by each phone number.

Control – SMS messages can be sent to execute different functions on the alarm.

Each message sent to the unit must adhere to a specific format:

[code]space[command] space[extended command] space[data]

Code – Valid alarm user code stored in the alarm panel

Command – A string that identifies the function that you are wanting to access in the alarm panel.

Extended Command – Any supplementary information the function requires. (Not always required will depend on the function you are accessing)

Data - Any extra information the extended command requires.

NOTE: Only a single command can be sent per SMS, but multiple data values may be sent separated by a comma.

Messages are limited to 160 characters.

Messages will be rejected:

- If any part of the message is invalid
- When the user code sent is unknown by the alarm panel
- If any part of the command fails to execute
- If the message is sent from an unknown phone number
- If the command is sent by a phone number that does not have the required permission

NOTE: All commands sent will be verified with a message confirming that it was successful or unsuccessful with an explanation

Add

The "Add" command is sent to add a new authorised phone number to the SMS Module and its function.

Desired Action	Code	Command	Ext. Cmd	Data
Add phone number as a Master number	1234	Add	Master	Phone Number
Add phone number as an Arm number	1234	Add	Arming	Phone Number
Add phone number as a Reporting number	1234	Add	Reporting	Phone Number

NOTE: The above commands can only be sent via master phone.

Reporting Options

The "report" command is sent to select what reports you want to receive on that phone number.

Global – All enabled global events related are reported

Valid User Extended Commands:

Threshold – Sets the number of SMSes sent per day by the module to the phone

Off – Disables reporting to that phone that sent the SMS

Type – Sets the type of feedback the phone will receive

Types of feedback:

Full – All enabled events are reported

Reduced –Only the following will be reported: Arm/Disarm, Zone violations, Panics, AC Fail/Restore and Battery Low/Restore

Raw– Contact ID string/ readable format

Desired Action	Code	Command	Ext. Cmd	Data
Turn on global reporting for P1	1234	Report	On P1,global	Phone Number

Default: On (Enables reduced reporting)

The below SMS is sent from the phone requiring the reporting to be switched off

Desired Action	Code	Command	Ext. Cmd	Data
Turn off reporting for P1	1234	Report	Off P1	Phone Number

Sent from phone number wanting to change the reporting information received

Desired Action	Code	Command	Ext. Cmd	Data
Set the type of reporting to Full	1234	Report	Type Full	Phone Number

NOTE: The below SMS is sent from the phone requiring the change

Change the number of SMSes sent to your phone

Desired Action	Code	Command	Ext. Cmd	Data
Set the reporting threshold to 5	1234	Report	Threshold 5	Phone Number

Default: 20 (20 SMS sent to each phone per day)

Delete

When needing to delete a phone number.

Desired Action	Code	Command	Ext. Cmd	Data
Deleting a phone number	1234	Delete		Phone Number

NOTE: This is only a master phone number command.

List

With this command a master user can list all current cell numbers that have been added to the SMS Duo unit

Desired Action	Code	Command	Ext. Cmd	Data
Deleting a phone number	1234	List	Numbers	

NOTE: This is only a master phone number command.

Naming

Each SMS Duo, Partition, zone and programmable output can be named for easier identification and interaction.

Naming the Site

Site names are used to identify individual SMS Duo modules. Access to the site name command is restricted to Master Phone Numbers. Site names will always be sent with all SMSes and by default is "IDS SMS". Site names are limited to 12 characters.

Desired Action	Code	Command	Ext. Cmd	Data
Assigning a site name	1234	Site	Name	Home

NOTE for all Naming Options: Names are case sensitive any spaces before or after the name will be part of the name. No names can be entered via the IDS805 keypad

Partition

The IDS805 only has one partition.

This command is used to name the partition to make it easier to remember. Partition names can be used with commands and will be used in feedback SMSes.

Desired Action	Code	Command	Ext. Cmd	Data
Name partition 1 "Main House"	1234	Partition	Name	1:Main House

Zones

This command is used to name zones or retrieve the status.

Desired Action	Code	Command	Ext. Cmd	Data
Name zone 1 as "Kitchen"	1234	Zone	Name	1:Kitchen
Name zone 2 "Lounge" & zone 5 "Patio"	1234	Zone	Name	2:Lounge, 5:Patio
Check zone status on P1	1234	Zone	Status	P1

Note: Zones on the SMS Duo interface board are reported as zones 9 & 10 and must have 3k3 resistors as end of line supervision.

Normally open connections the 3k3 resistor must be in parallel

Normally closed connections must have the 3k3 resistor in series

Alarm Commands

Arm

The "Arm" command is sent to arm the Alarm Panel.

Note: The default setting in the IDS805 alarm panel is to stay arm if the entry/exit zone is not triggered which will cause the alarm to stay arm when receiving an arm command from an SMS. To change this please refer to location 13 in the IDS805 Installer manual.

Valid Extended Commands:

Status – Returns the arm status of partitions

S1 to S2 – This arms the system into the stay profile specified, S1 = stay profile 1, S2 = stay profile 2.

Desired Action	Code	Command	Ext. Cmd	Data
Away arm P1	1234	Arm		P1
Away arm "House"	1234	Arm		House
Stay arm P1 in stay profile 1	1234	Arm	S1	P1
Stay arm House in stay profile 1 & Flat in stay profile 1	1234	Arm	S1	House
Check the arm status of the alarm	1234	Arm	Status	P1
Check the arm status of "House"	1234	Arm	Status	House

NOTE: If the alarm is away armed and a stay arm command is sent the message will be rejected. Away armed partitions must be disarmed before being stay armed.

Disarm

The "Disarm" command will be sent to disarm the Alarm Panel. The IDS805 only has one partition therefore "P1" must be entered.

Desired Action	Code	Command	Ext. Cmd	Data
Disarm	1234	Disarm		P1
Disarm "House"	1234	Disarm		House

Zones Bypassing

The "Bypass" command will be sent to bypass specific zones. You must specify which zones to bypass in the data field. Zones may be referred to by their number or, where applicable, by their name.

Valid Extended Commands:

Status – Returns the bypassed status of the zone(s).

Desired Action	Code	Command	Ext. Cmd	Data
Bypass zone 1	1234	Bypass		1
Bypass zone 3,4	1234	Bypass		3,4
Bypass named zone "Passage"	1234	Bypass		Passage
Bypass named zone "Lounge" & "Kitchen"	1234	Bypass		Lounge, Kitchen
Retrieve status of zone 1	1234	Bypass	Status	1
Retrieve status of "Lounge"	1234	Bypass	Status	Lounge

NOTE: Zones can only be bypassed if the alarm is unarmed

Zone Unbypassing

The Unbypass command is sent when a zone is bypassed and you want to reactivate it.

Desired Action	Code	Command	Ext. Cmd	Data
Unbypass Zone 5	1234	Unbypass		5
Unbypass "Kitchen"	1234	Unbypass		Kitchen

NOTE: Zones can only be unbypassed if the alarm is unarmed

Programmable Outputs

PGM command controls the programmable outputs on the ESMS Duo interface board labelled RLY1 and RLY2. These are relay outputs that are in the normally open state by default. The outputs do not supply any voltage

The PGM that is to be controlled must be specified in the data field and what action it must perform in the extended command field.

PGMs may be named with this command as well. As such, PGMs may be referred to by their number or their name.

Valid Extended Commands:

On – Changes the relay from open to closed

Off – Changes the relay from closed to open

PulseH – Pulse High changes the output relay from open to closed for 3 seconds before returning it back to the open state

PulseL – Pulse Low changes the output relay from closed to open for 3 seconds before returning it back to the closed state

Status – Queries the state of the output

Name – Each output can be given a more meaningful name for easier control

Desired Action	Code	Command	Ext. Cmd	Data
Turn PGM 1 on	1234	PGM	On	1
Turn PGM 2 off	1234	PGM	Off	2
Pulse PGM 2 Low	1234	PGM	PulseL	2
Pulse PGM1 High	1234	PGM	PulseH	1
Name PGM 2 Lights	1234	PGM	Name	2:Lights
Get PGM 1 status	1234	PGM	Status	1

GSM Module Status LEDs

See figure 1: X-SMS Module below for LED locations

GSM Connect Status

LED flashes once per second if not connected and once every three seconds when connected to the Cell network and the signal strength is good enough to communicate.

Heart Beat

LED Flashes when the unit is running and the power up sequence has completed.

Network Status

LED Flashes when connected to the Cell provider's network and accepted by the service provider. I.E. Sim card is activated

Network Comms

LED on when communicating with the Cell network

I/O Module Panel Comms

LED on when communicating with the Interface board

Interface Board LED

Panel Comms LED (See Fig 1 to 3)

Slow flash – IDS805 not detected on power up and SMS Duo in Stand Alone Mode

On – IDS805 detected and in IDS805 Mode

Off – IDS805 disconnected (Only shows if an IDS805 was connected and then disconnected.) To engage standalone mode power down then up.

Figure 1: X-SMS module

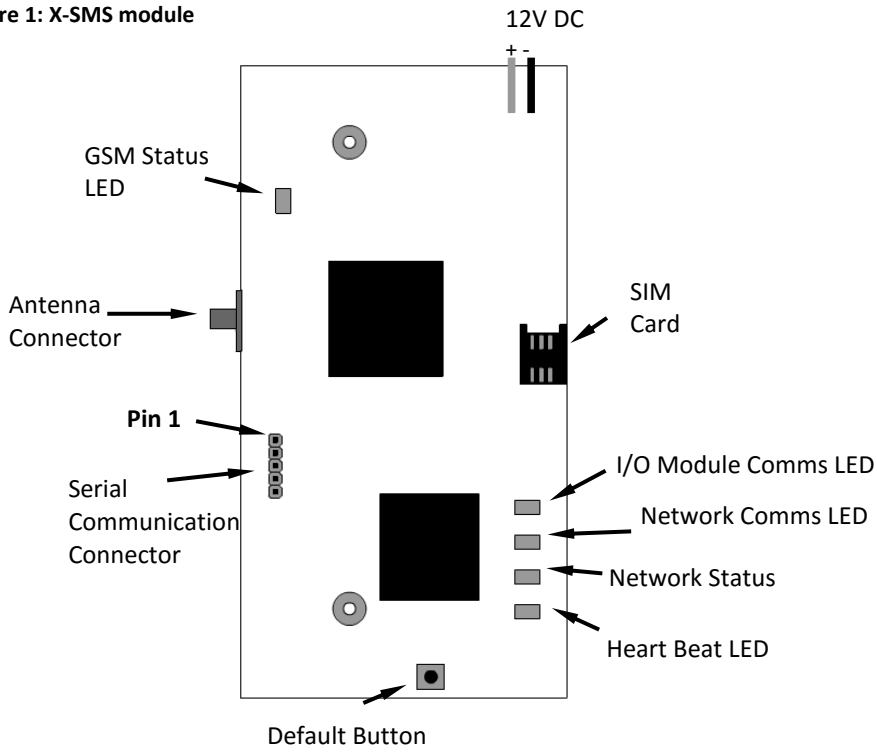


Figure 2: IDS SMS Duo and IDS805 Connection

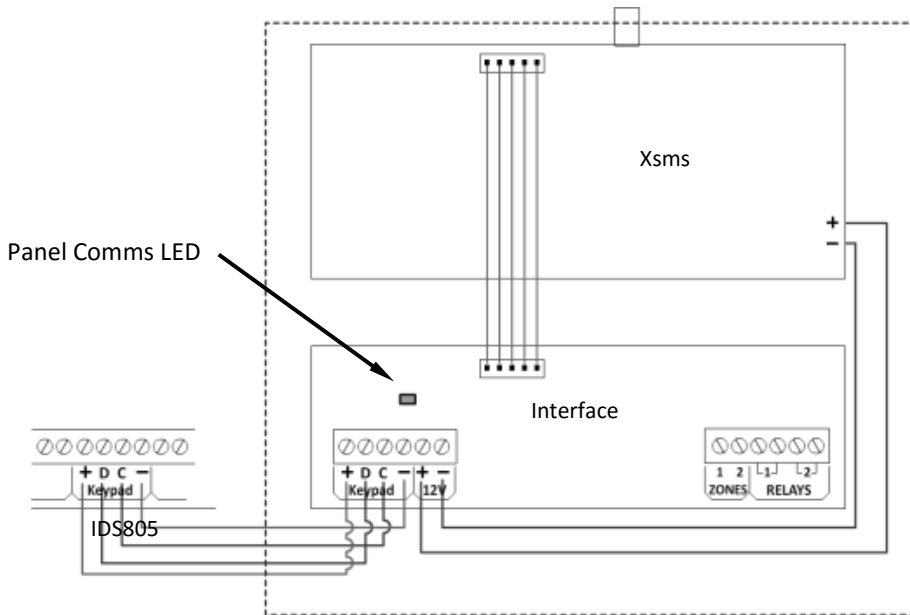
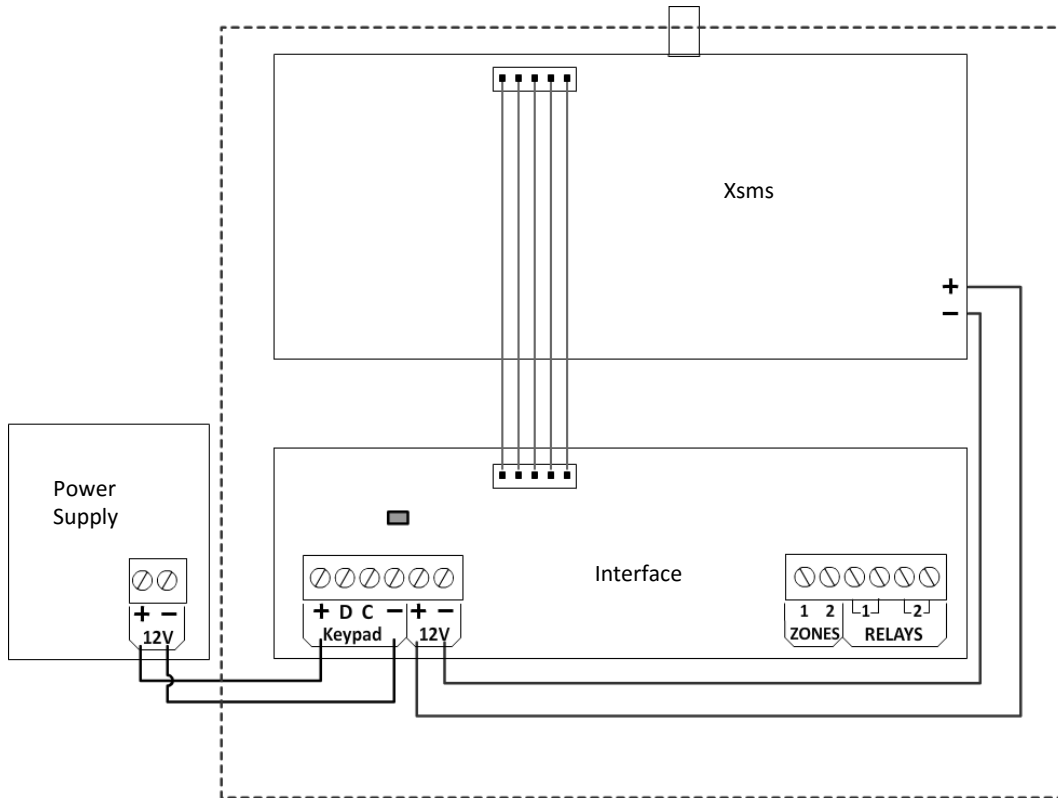


Figure 3: IDS SMS Duo Standalone Connection Diagram



Technical Data:

Input Voltage: 12V DC

Current: 5 μ A (Sleep) 8mA (Transmit)

Physical Size (mm): 92 x 37 x 17

Operating Temperature: -10 $^{\circ}$ C, +50 $^{\circ}$ C



Warranty

Inhep Electronics Holdings (Pty) Ltd guarantees all IDS Control Panels against defective parts and workmanship for 24 months from date of purchase. Inhep Electronics Holdings shall, at its option, repair or replace the defective equipment upon the return of such equipment to any Inhep Electronics Holdings branch. This warranty applies ONLY to defects in components and workmanship and NOT to damage due to causes beyond the control of Inhep Electronics Holdings, such as incorrect voltage, lightning damage, mechanical shock, water damage, fire damage, or damage arising out of abuse and improper application of the equipment.

NOTE: Wherever possible, return only the PCB to Inhep Electronics Holdings Service Centres.

DO NOT return the metal enclosure.

The X-Series Products are a product of IDS (Inhep Digital Security) and is manufactured by Inhep Electronics Holdings (Pty) Ltd

WARNING

For safety reasons, only connect equipment with a telecommunications compliance label. This includes customer equipment previously labeled permitted or certified.

This is a professional product, and due to the nature of the product, should only be installed by an accredited professional Alarm Installer.

Help Desk Number: 0860 705137*

*Please note that this is NOT a toll free number

