

Training

Multi Beam

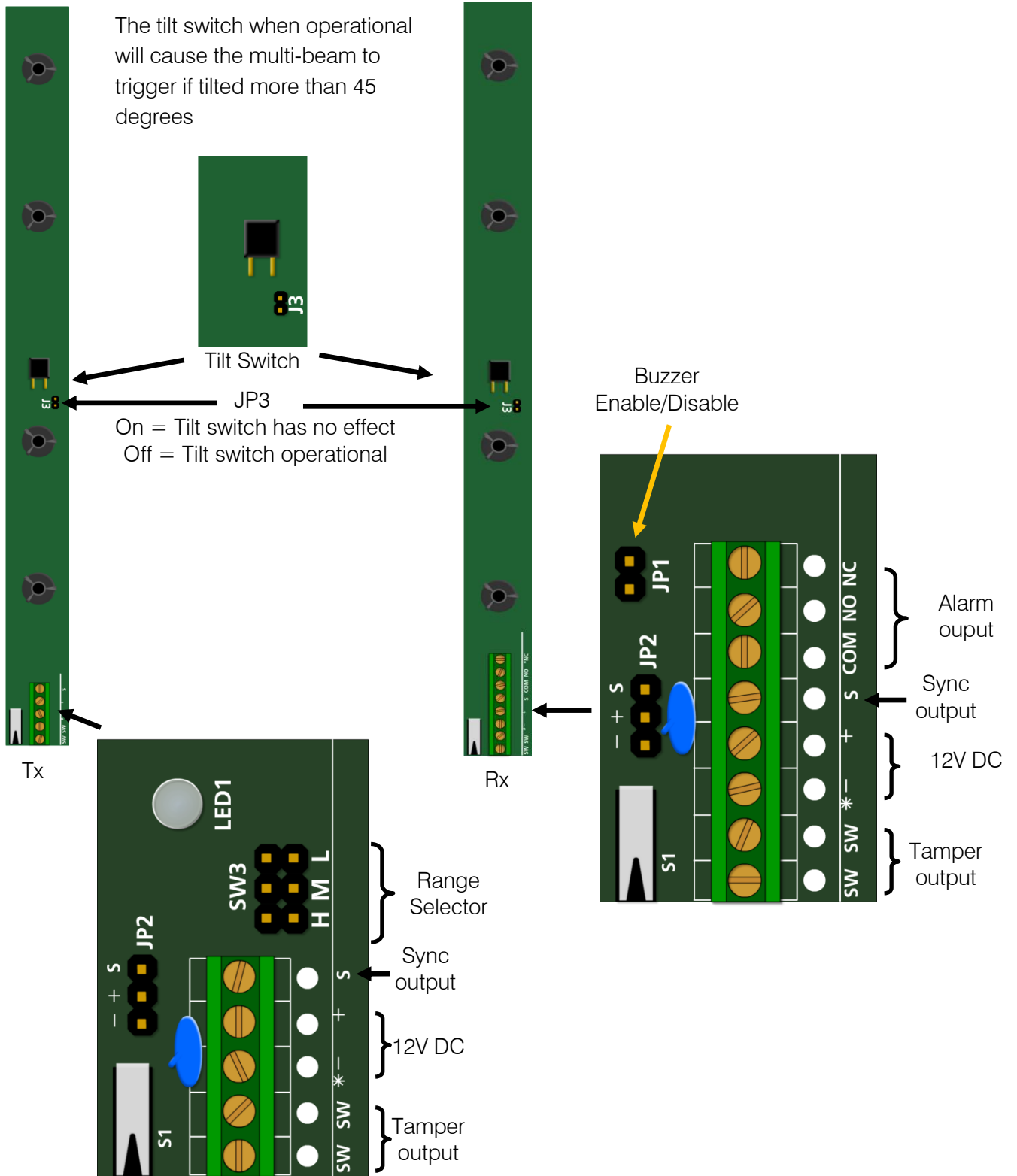


Features

- Two adjacent beams must be blocked for an alarm to be triggered
- Buzzer for easy setup
- Swivel brackets for easy alignment
- Very good antiglare, light immunity
- Anti-tilt switch
- IP54 rating

PCB

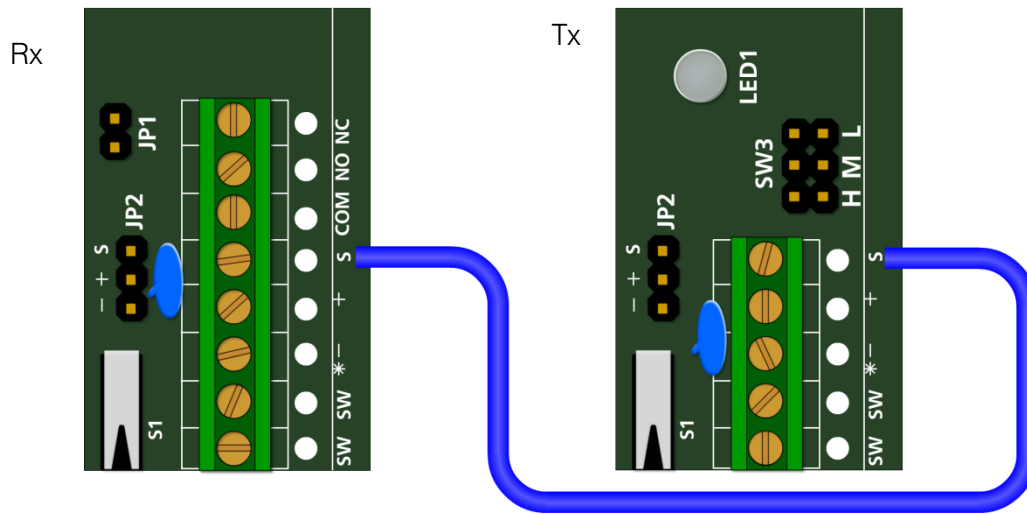
Below are diagrams of the Selco multi-beam PCBs showing the tilt switch and the connectors for the transmitter and receiver.



Sync Wire Connection



The sync must be connected between the receiver and the transmitter for the beams to work.



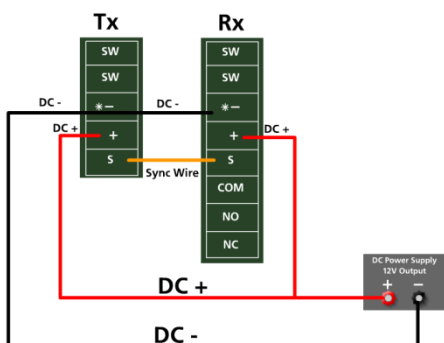
12V Power Connection



The voltage on the Tx must not be lower than the Rx

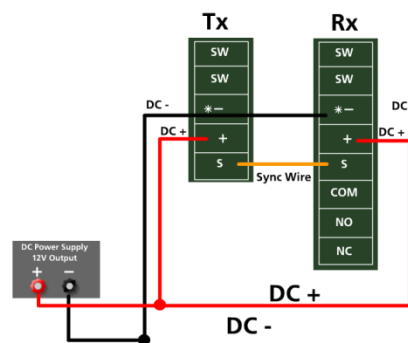
Single beam installation

Power Supply closer to Receiver



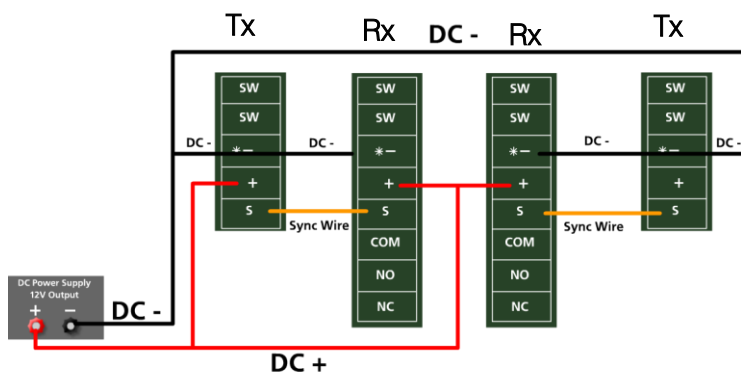
DC negative must pass through the transmitter to the receiver
The Voltage on the Tx must not be lower than the Rx

Power Supply closer to Transmitter



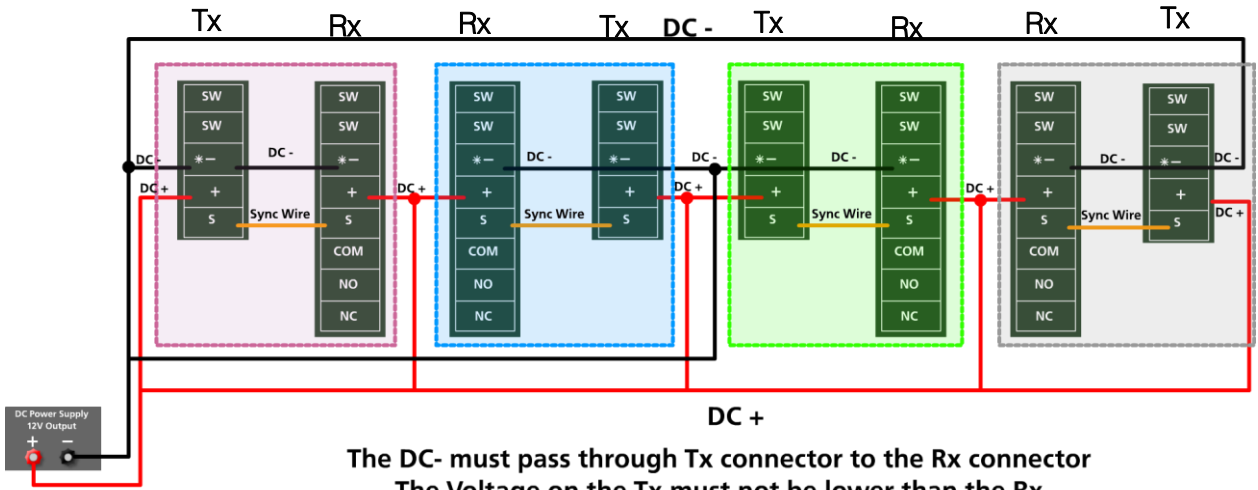
DC negative must pass through the transmitter to the receiver
The Voltage on the Tx must not be lower than the Rx

Two beam installation



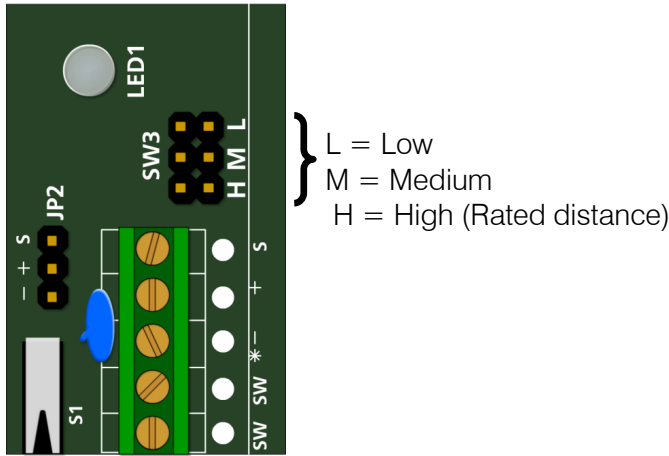
The DC- must pass through Tx connector to the Rx connector
The Voltage on the Tx must not be lower than the Rx

Multi beam installation



Range Selection

When using beams to cover a distance less than the maximum rated distance to get the best results set SW3.



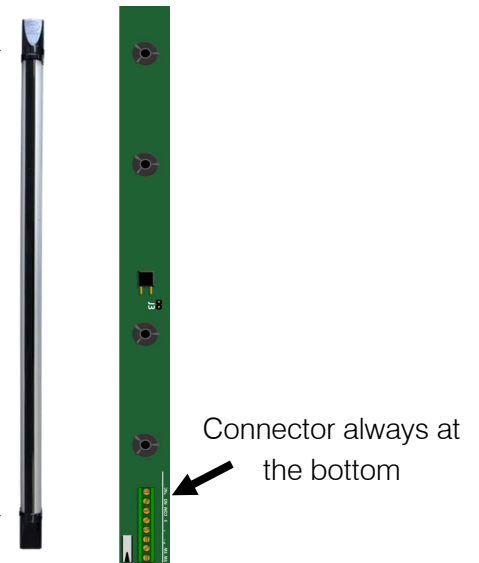
Physical Installation

The beam must have the correct end caps in the correct places.

TOP
No holes to seal the detector

Please do not swop end caps


Bottom
Holes for moisture draining



Alignment

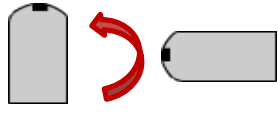
Alignment steps

1 Aim the Tx & Rx at each other




Rx Tx

2 Turn Rx 90 degrees to left




Rx Tx

3 Power beams up. Beams will sound for self-inspection. Then the buzzer beep faster




Rx Tx

4 Align Rx with the Tx. The buzzer will beep slower and when aligned a long beep will sound




Rx Tx

5 Repeat by turning the Rx to the right



Rx Tx

6 Repeat Alignment step



Rx Tx