

A modern two-story house with a white facade and dark brown shutters. A wooden pergola with a light-colored deck extends from the house over a green lawn. The sky is clear blue, and there are trees in the background.

VXI-CMOD

- ARM / DISARM Notification

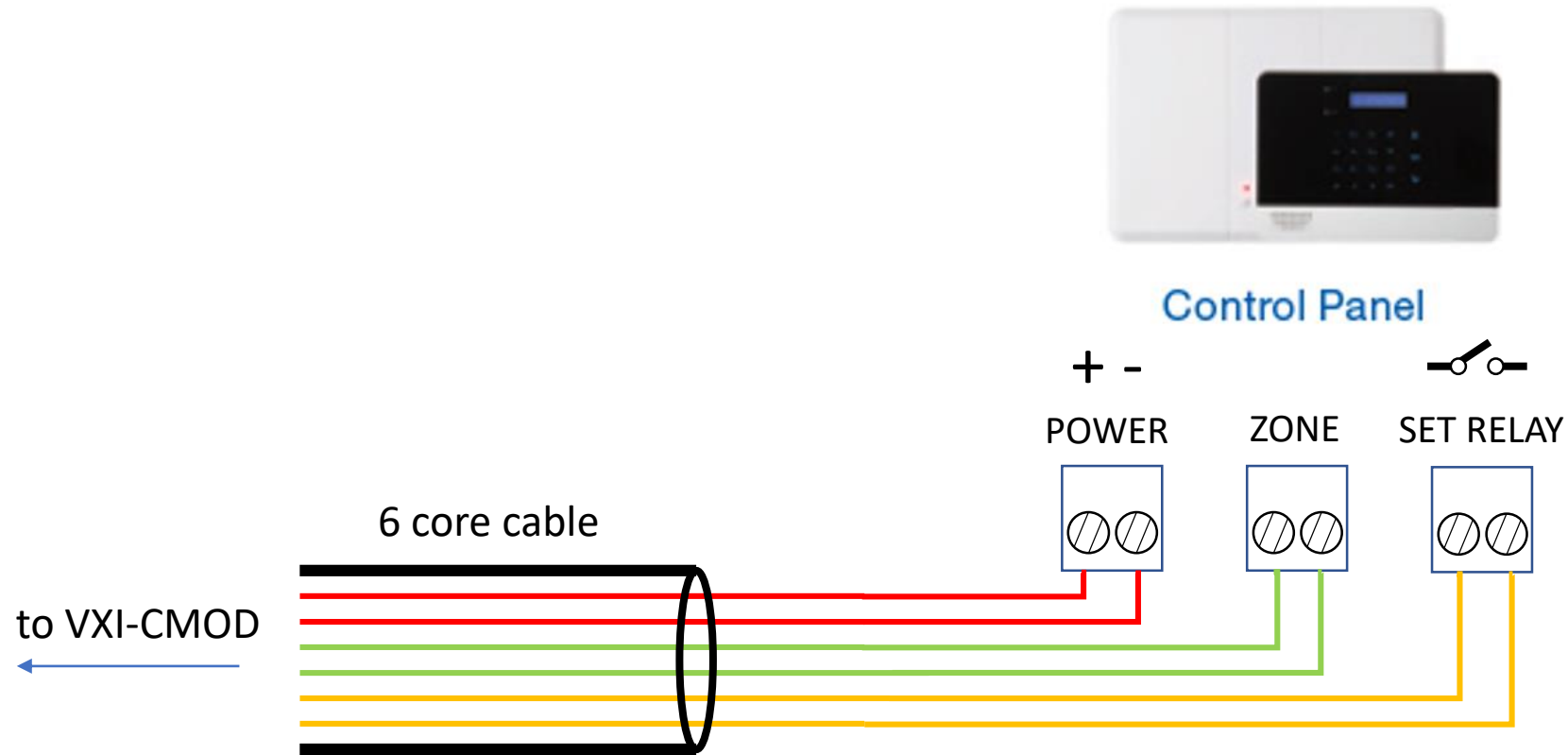
Arm and Disarm - notification

This presentation demonstrates how to configure your VXI-CMOD so the notifications are only sent when the alarm control panel is **ARMED**.

- This works with the VXI-ST , VXI-AM and VXI-DAM models.
- You will require a minimum of a 6-core cable between the control panel and VXI-CMOD unit (POWER / ALARM, TAMPER ,*TROUBLE / ARM, DISARM)

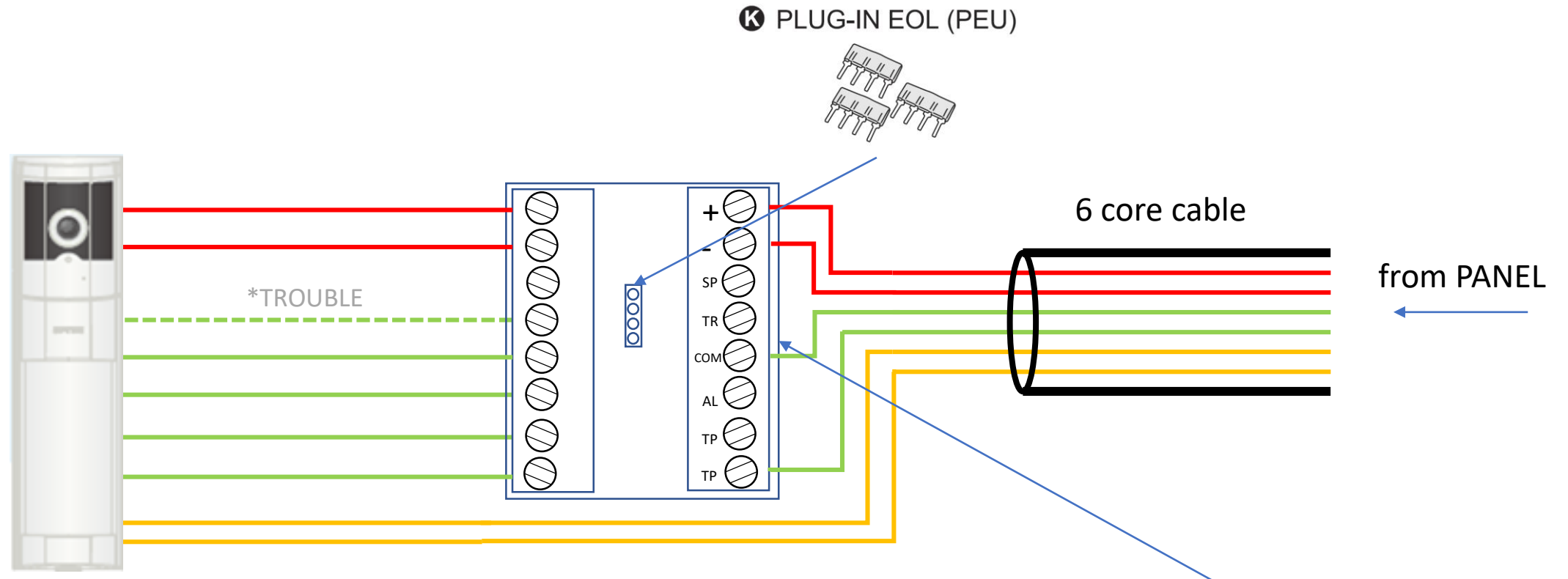
* only valid for VXI-DAM unit

Wiring – from the panel



Wire a 6-core cable between the control panel and the VXI-CMOD

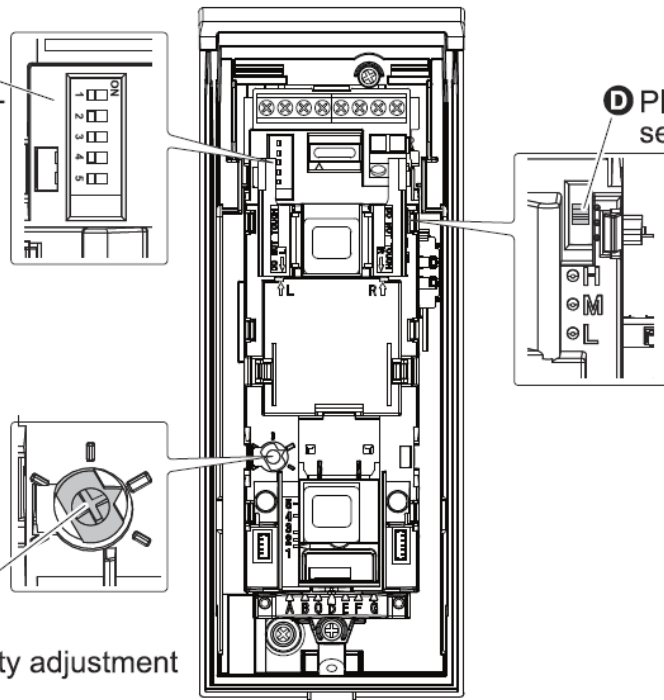
Wiring: VXI-CMOD PCB



Wiring: VXi sensor

A VXi features can be set on/off by DIP switch settings.

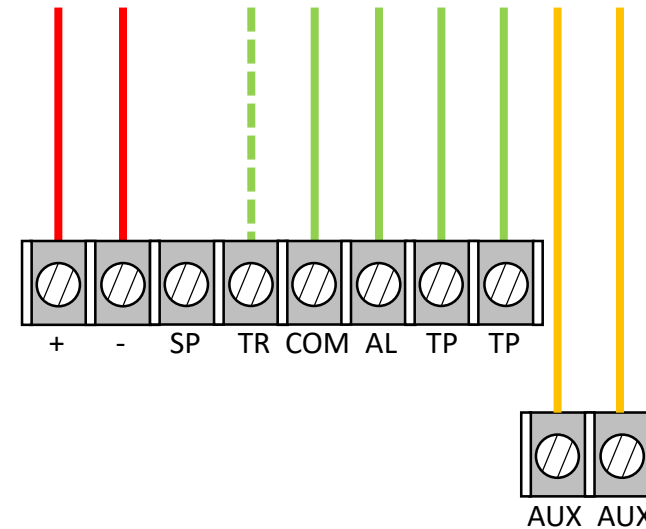
- B** DIP switch
- 1 LED
 - 2 ALARM OUTPUT
 - 3 AUX INPUT
 - 4 ANTI-MASKING
 - 5 MICROWAVE IMMUNITY



D PIR sensitivity selector

C MW sensitivity adjustment

from the VXi-CMOD PCB

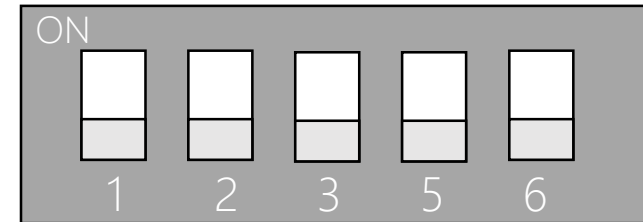
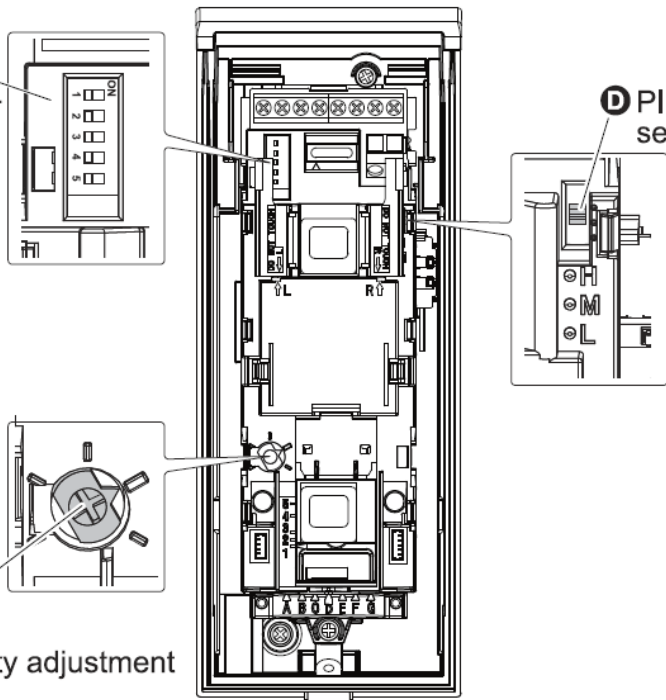


Wire the cables from the VXi-CMOD PCB and alarm panel SET RELAY into the sensors terminals.

DIP switch settings

A VXI features can be set on/off by DIP switch settings.

- B** DIP switch
- 1 LED
 - 2 ALARM OUTPUT
 - 3 AUX INPUT
 - 4 ANTI-MASKING
 - 5 MICROWAVE IMMUNITY

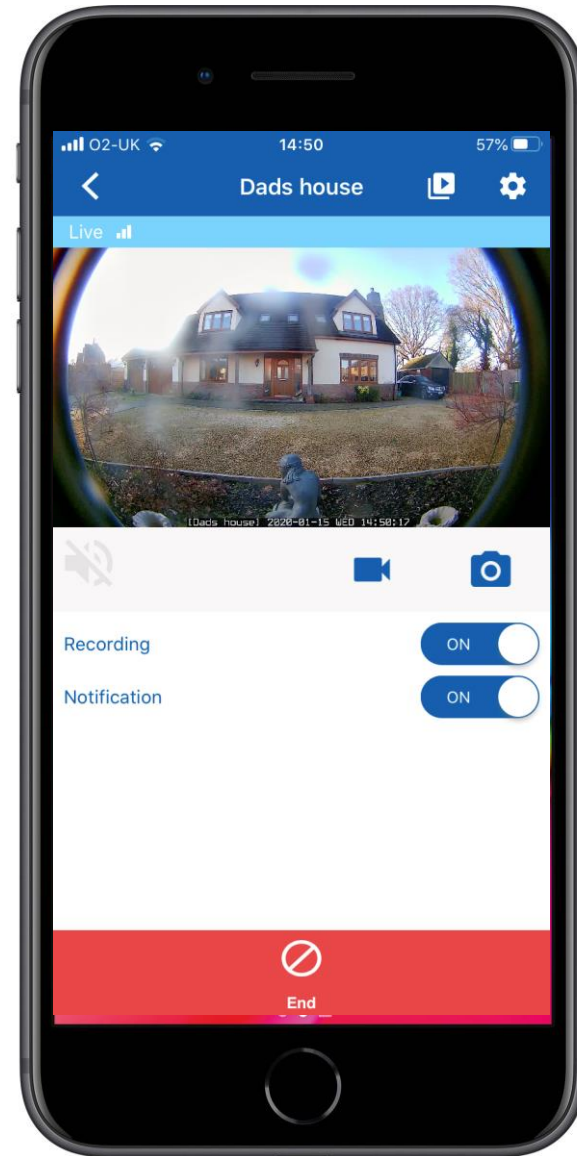


↑ OR
↓ AND

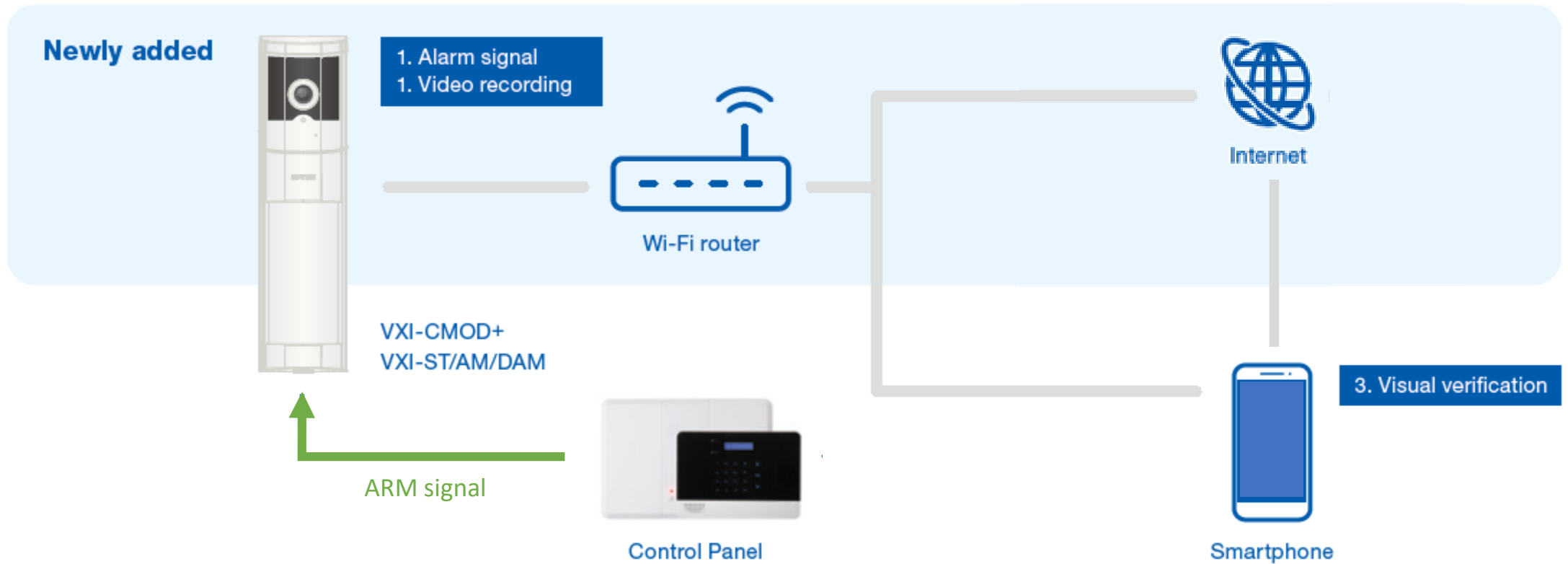
Number 3 on the DIP switch should be set to AND

App setting

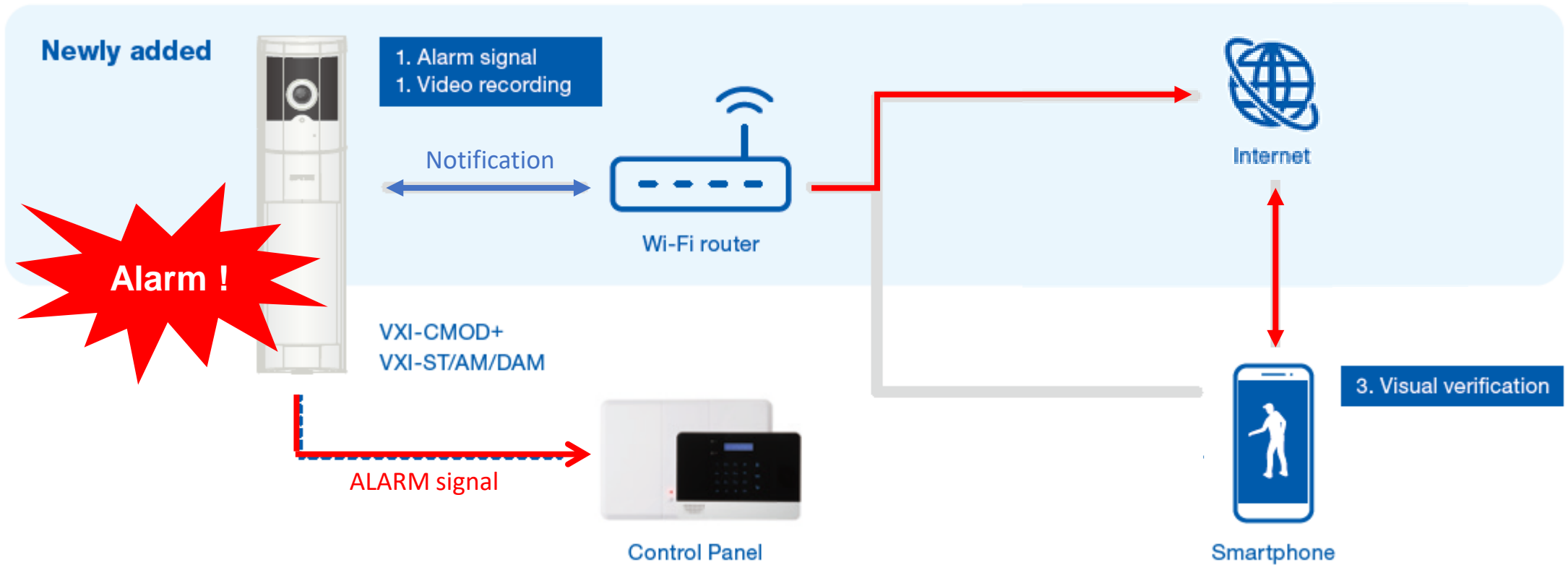
In the OPTEX Vision app the notification tab should always to set to ON.



Arming signal from the security panel



Notification only when armed



Thank you